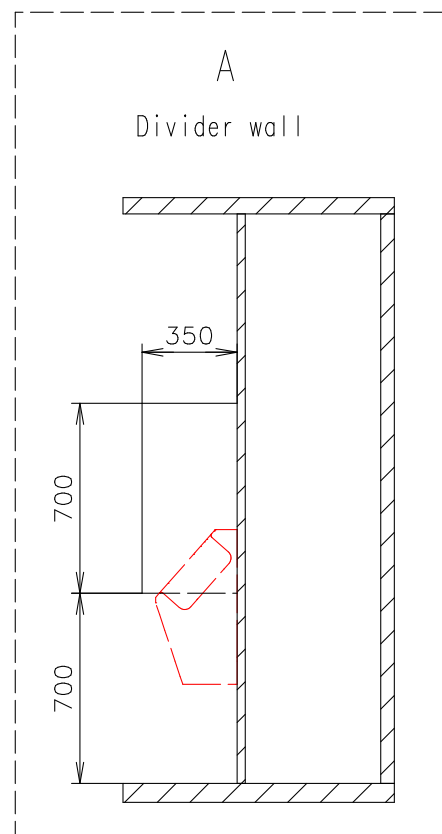
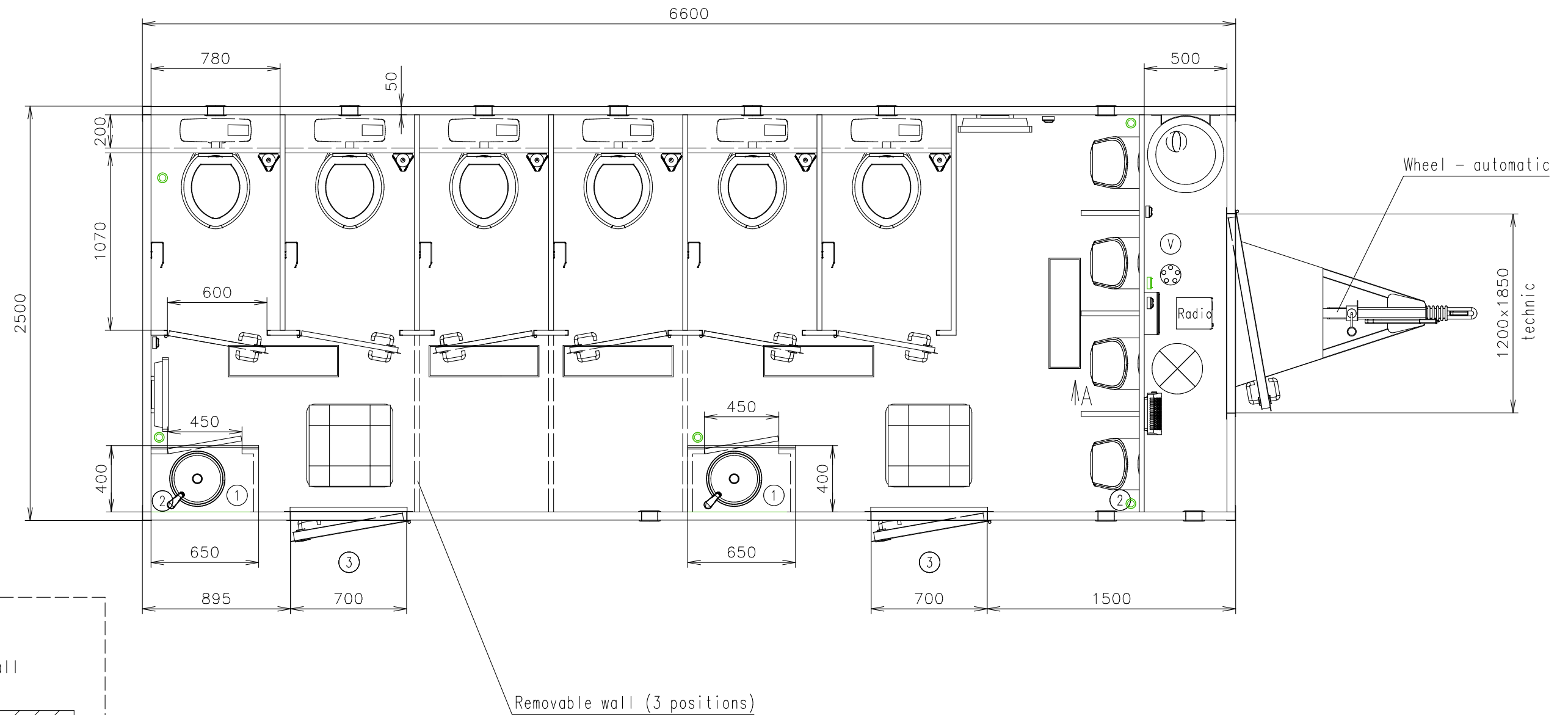


| Connection hoses and cables | |
|-----------------------------|---|
| Water hose: | ✓ |
| Waste water hose: | ✗ |
| Electric cable: | ✓ |



(Cabling and piping is not shown on the 3D views and drawings)

Notes: Waste-water piping - mounted by customer in CZ before walls

| | | | |
|------------------|------------|----------------------------------|----------|
| Interior height: | 2100 mm | Total weight: | 2600 kg |
| Color: | RAL 7001 | Tare weight-estimate: | 2000 kg |
| Floor: | PVC black | Centre of wheels from rear side: | 3240 mm |
| Date: | 17.12.2015 | Wheels: | 165 R13C |

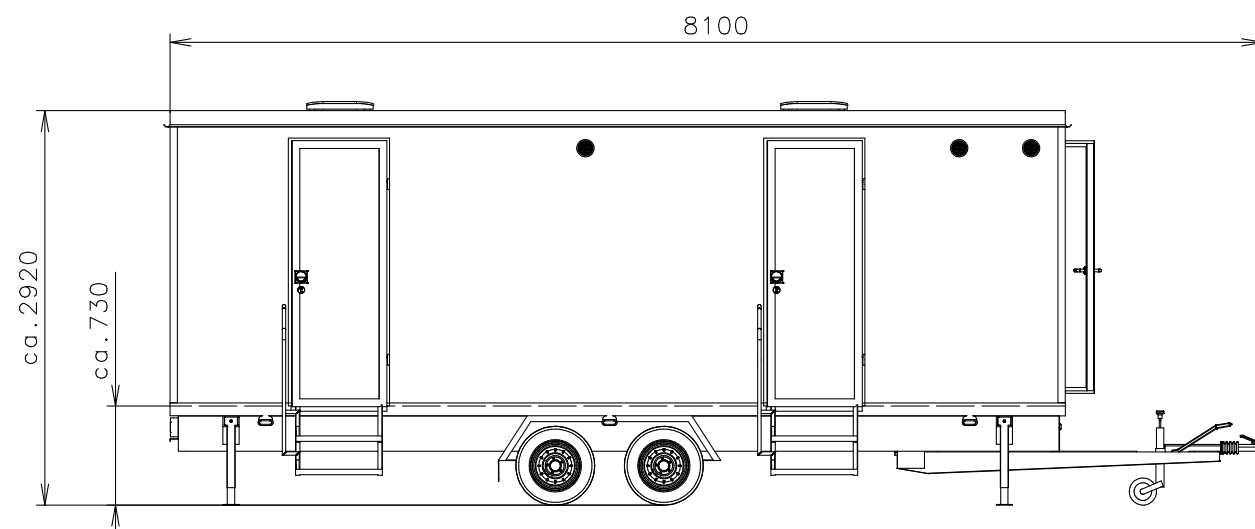
EUROWAGON

Drawing number:
2230-66-2_1/2 (Werag)

| Connection hoses and cables | |
|-----------------------------|---|
| Water hose: | ✓ |
| Waste water hose: | ✗ |
| Electric cable: | ✓ |

- Ⓥ Water connection 3/4" (through the floor)
- Ⓢ Electric connection (through the floor) (230V-16A)
- Ⓣ Effluent connection ø110 (through floor)
- Ⓜ Power point
- Ⓛ Light switch
- Ⓜ Switch board (1200 over floor)
- Ⓛ Droplight
- Ⓢ Sensorlight
- Ⓜ Heating (500W)
- Ⓜ Heating (750W)
- Ⓢ Floor drain hole
- Ⓢ Sink ø335 (stainless steel) + standard water tap

- Ⓢ Floor standing toilet + Geberit
- Ⓢ Urinal - Vitra Siko (water flush)
- Ⓢ Hot water boiler Gorenje (30 l)
- Ⓢ Roof window Dometic (400x400)
- Ⓢ Ventilation ø120
- Ⓢ Brush toilet
- Ⓢ Toilet paper holder
- Ⓢ Mirror (600x600)
- ① Rubish bin
- ② Speaker
- ③ Foldable stairs Serena + 1x handrail



(Cabling and piping is not shown on the 3D views and drawings)

Notes: Waste-water piping - mounted by customer in CZ before walls

| | | | |
|------------------|------------|----------------------------------|----------|
| Interior height: | 2100 mm | Total weight: | 2600 kg |
| Color: | RAL 7001 | Tare weight-estimate: | 2000 kg |
| Floor: | PVC black | Centre of wheels from rear side: | 3240 mm |
| Date: | 17.12.2015 | Wheels: | 165 R13C |

EUROWAGON

Drawing number:
2230-66-2_2/2 (Werag)