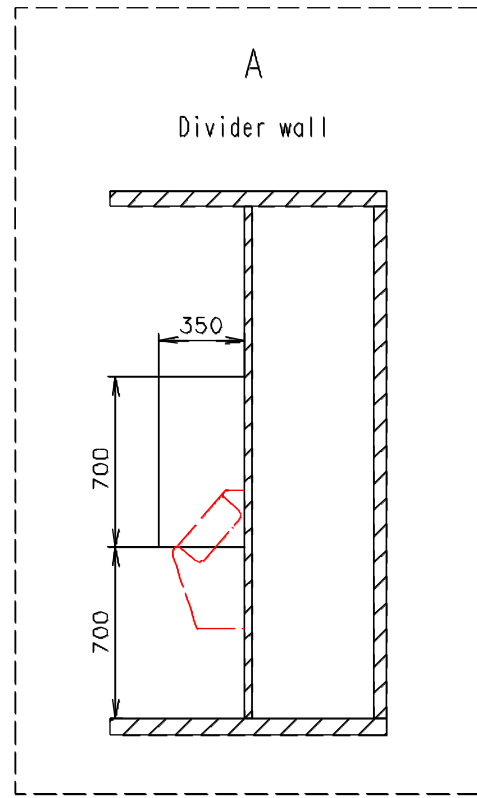
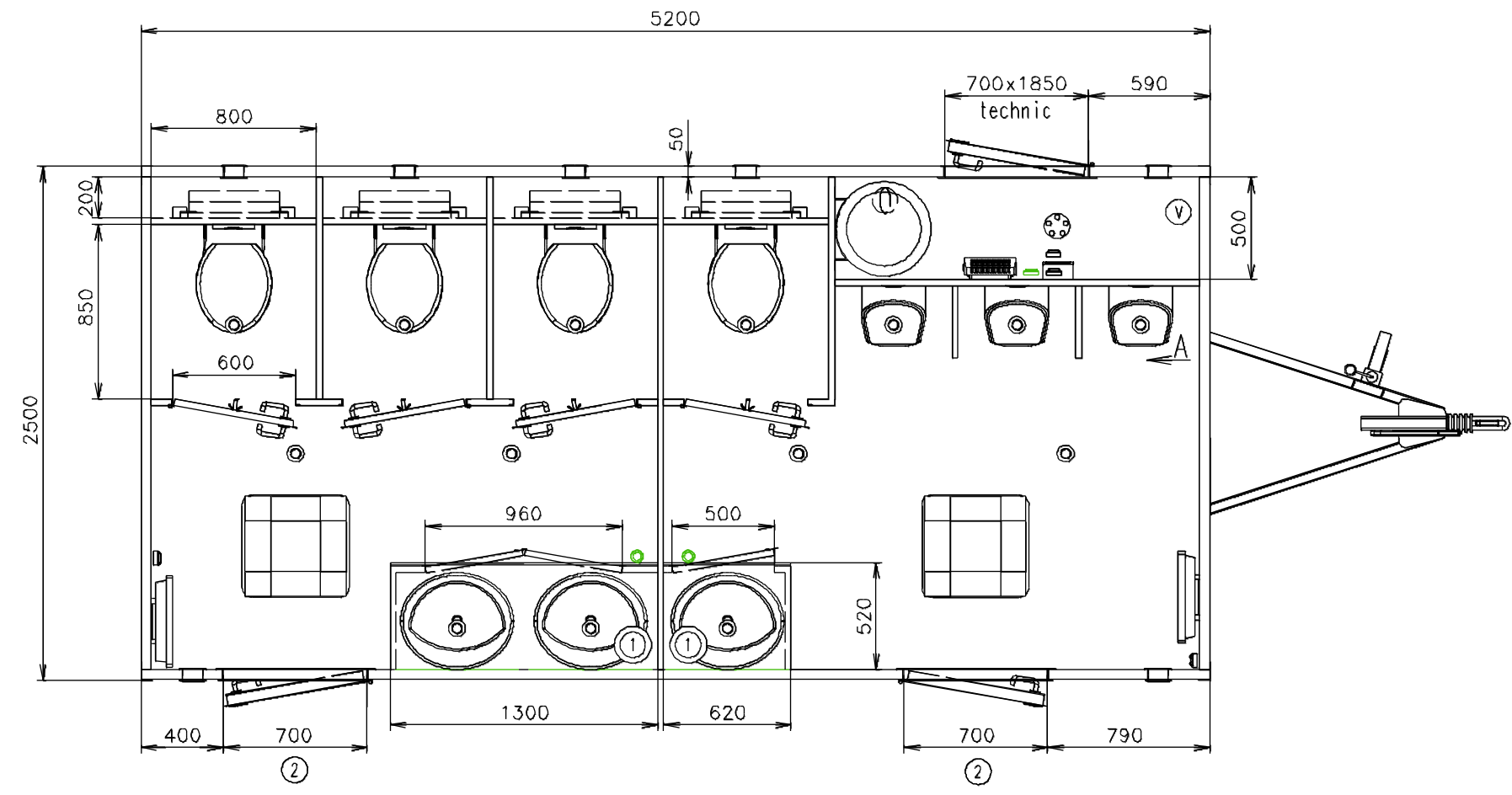


Connection hoses and cables	
Water hose:	✓
Waste water hose:	✗
Electric cable:	✓



Without toilet brushes and paper holders
 Notes: Desks + interior doors + divider wall in black decor 6515

Interior height:	2100 mm	Total weight:	2000 kg
Color:	RAL 9010	Tare weight-estimate:	1700 kg
Floor:	PVC black	Centre of wheels from rear side:	2540 mm
Date:	22.9.2015	Wheels:	155 R13

EUROWAGON

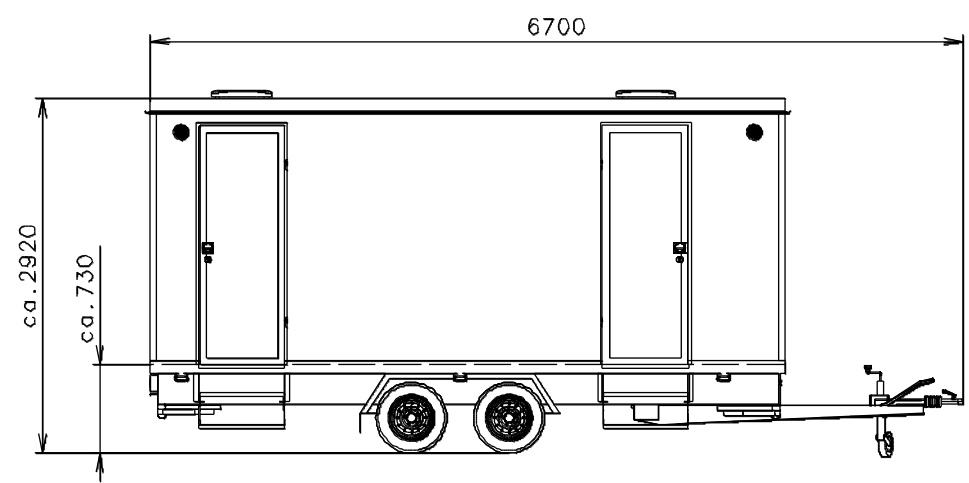
Drawing number:
 2147-52-3_1/2 (EW.BE)

(Cabling and piping is not shown on the 3D views and drawings)

Connection hoses and cables	
Water hose:	✓
Waste water hose:	✗
Electric cable:	✓

- Ⓥ Water connection 3/4" (through the floor)
- Ⓢ Electric connection (through the floor) (230V-16A)
- Ⓣ Effluent connection ø110 (through floor)
- Ⓜ Power point
- Ⓛ Light switch
- Ⓛ Switch board (1200 over floor)
- Ⓞ Spot light
- Ⓜ Heating (500W)
- Ⓜ Heating (750W)
- Ⓞ Floor drain hole
- Ⓢ Wash-basin (built-in) Multi 1690 (550x470) - without water tap

- Ⓢ Hanging toilet
- Ⓢ Urinal - Vitra Siko (water flush)
- Ⓢ Hot water boiler Gorenje (30 l)
- Ⓢ Roof window Dometic (400x400)
- Ⓢ Ventilation ø120
- Ⓢ Clothes hanger
- Ⓢ Mirror (600x600) + black frame around
- ① Speaker - in the roof (cabling to technic room)
- ② Foldable stairs Oliver



(Cabling and piping is not shown on the 3D views and drawings)

Notes: Without toilet brushes and paper holders
Desks + interior doors + divider wall in black decor 6515

Interior height:	2100 mm	Total weight:	2000 kg
Color:	RAL 9010	Tare weight-estimate:	1700 kg
Floor:	PVC black	Centre of wheels from rear side:	2540 mm
Date:	22.9.2015	Wheels:	155 R13

EUROWAGON

Drawing number:
2147-52-3_2/2 (EW.BE)