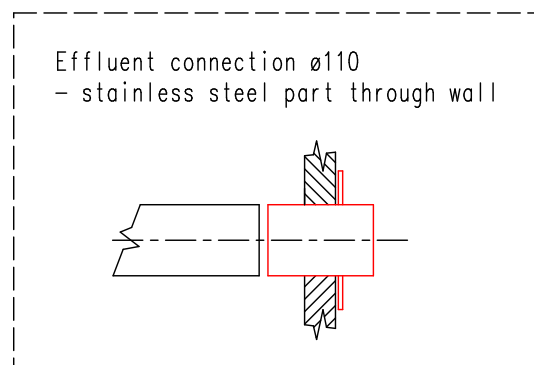
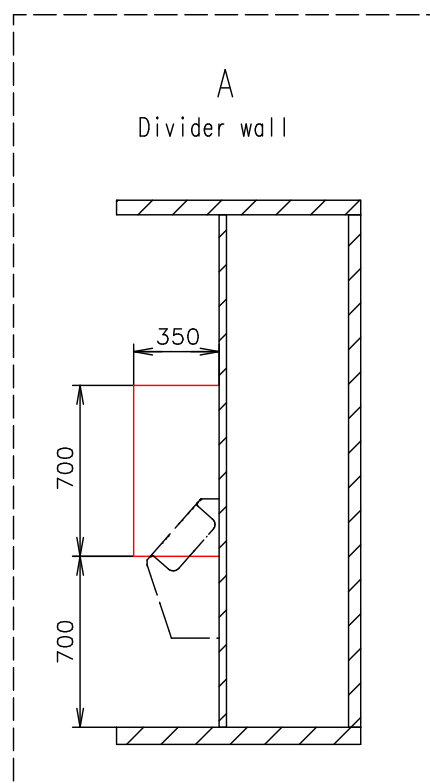
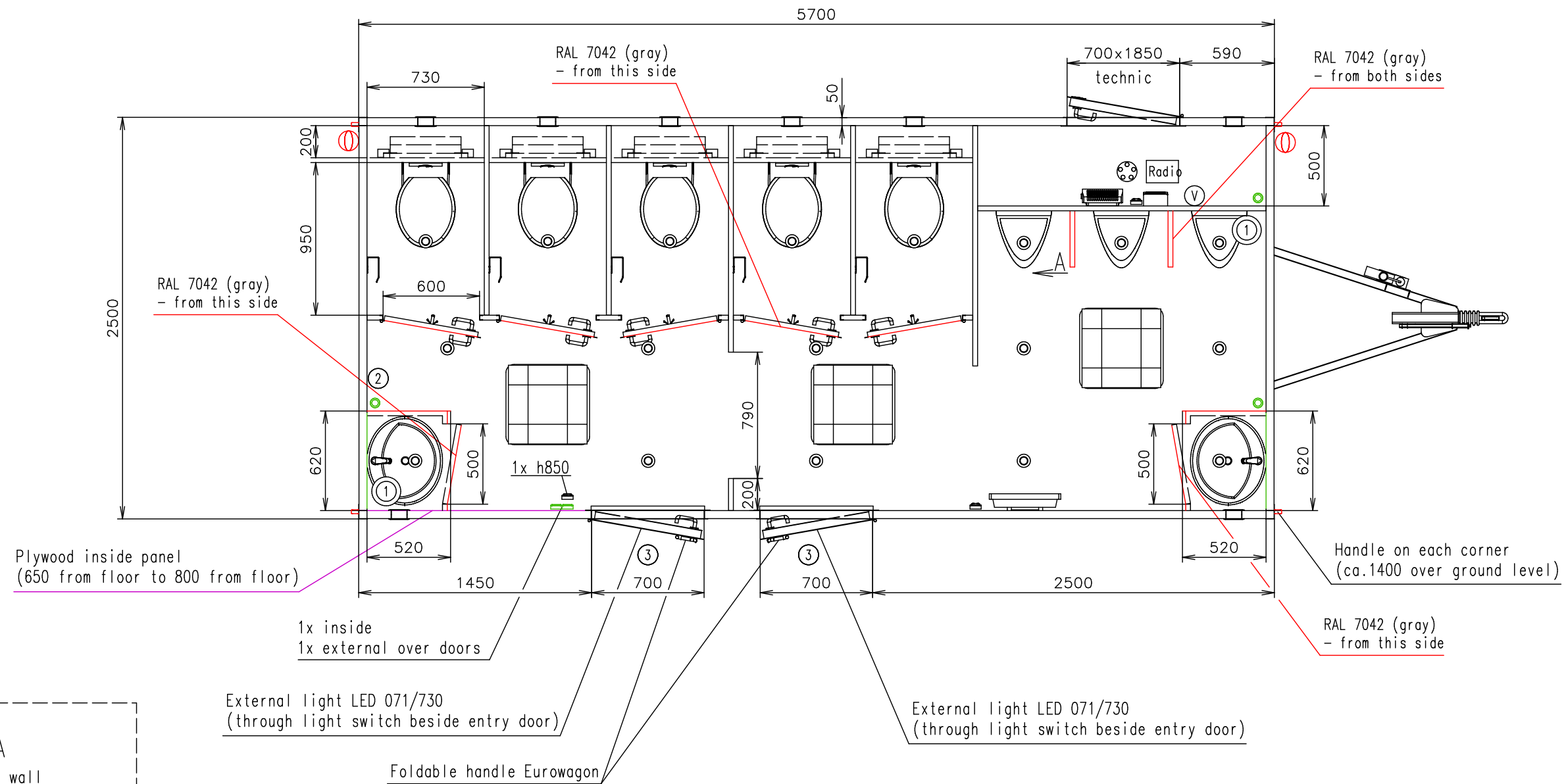


Connection hoses and cables	
Water hose:	✓
Waste water hose:	✗
Electric cable:	✓ Schuco



White sheet metal 100x100 (10 pcs.) - free loaded

External door stop - magnetic Without toilet brushes

Working desks in waterproof compact desk Egger (dark color)

Notes: Total weight - based on real tare weight - 1800 kg or 1900 kg

Interior height:	2100 mm	Total weight:	1800 kg
Color:	RAL 9010	Tare weight-estimate:	1800 kg
Floor:	PVC black	Centre of wheels from rear side:	2790 mm
Date:	30.9.2019	Wheels:	155 R13

EUROWAGON

Drawing number:
3369-57-1_1/2

(Cabling and piping is not shown on the 3D views and drawings)

Connection hoses and cables	
Water hose:	✓
Waste water hose:	✗
Electric cable:	✓ Schuco

Ⓥ Water connection 3/4" (through the floor)
+ filter + reduction valve

Ⓢ Electric connection (through the floor)
(230V-16A)

Ⓣ 2x effluent connection ø110 (through wall)
- stainless steel part
- updated by customer
- 2 pcs. send to customer → send back to EW

Ⓜ Power point

Ⓛ Light switch

Ⓜ Switch board (1200 over floor)

Ⓢ LED spotlight

Ⓜ Heating (500W)

Ⓜ Heating (750W)

Ⓢ Floor drain hole

Ⓢ Wash-basin (built-in) Multi 1690 (550x470)
+ standard water tap (only cold water)
- without syphon

Ⓢ Hanging toilet

Ⓢ Urinal - Uridan (waterless)

Ⓢ Roof window Dometic (400x400)

Ⓢ Ventilation ø120

Ⓢ Toilet paper holder

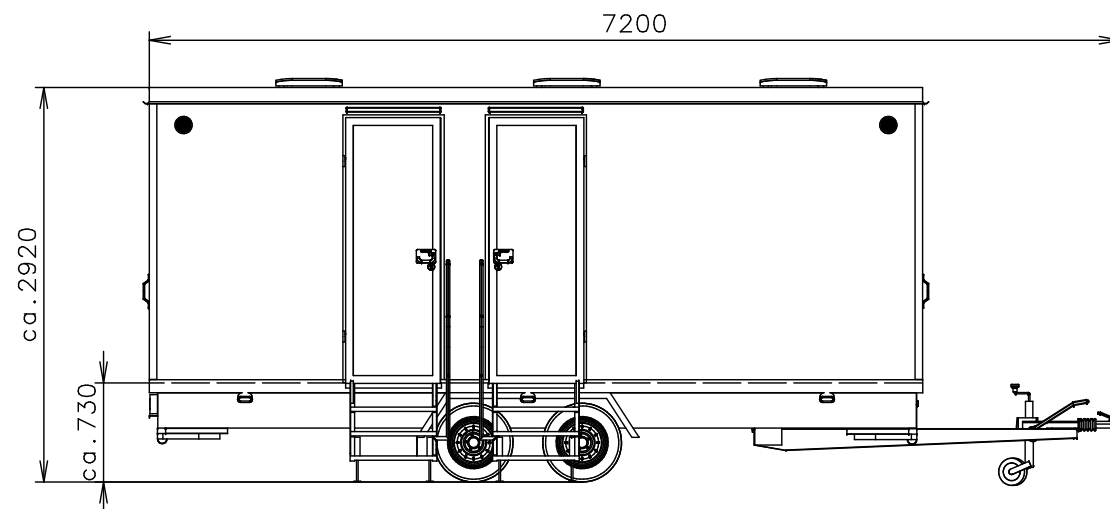
Ⓢ Clothes hanger

Ⓢ Mirror (600x600)

① Speaker (white) - in the roof

② Extra water tap (on the wall, ca.650 over floor) (only cold water)

③ Foldable stairs Serena (3 steps) + feet + 1x handrail



(Cabling and piping is not shown on the 3D views and drawings)

White sheet metal 100x100 (10 pcs.) - free loaded

External door stop - magnetic Without toilet brushes

Working desks in waterproof compact desk Egger (dark color)

Notes: Total weight - based on real tare weight - 1800 kg or 1900 kg

Interior height:	2100 mm	Total weight:	1800 kg ←
Color:	RAL 9010	Tare weight-estimate:	1800 kg
Floor:	PVC black	Centre of wheels from rear side:	2790 mm
Date:	30.9.2019	Wheels:	155 R13

EUROWAGON

Drawing number:
3369-57-1_2/2