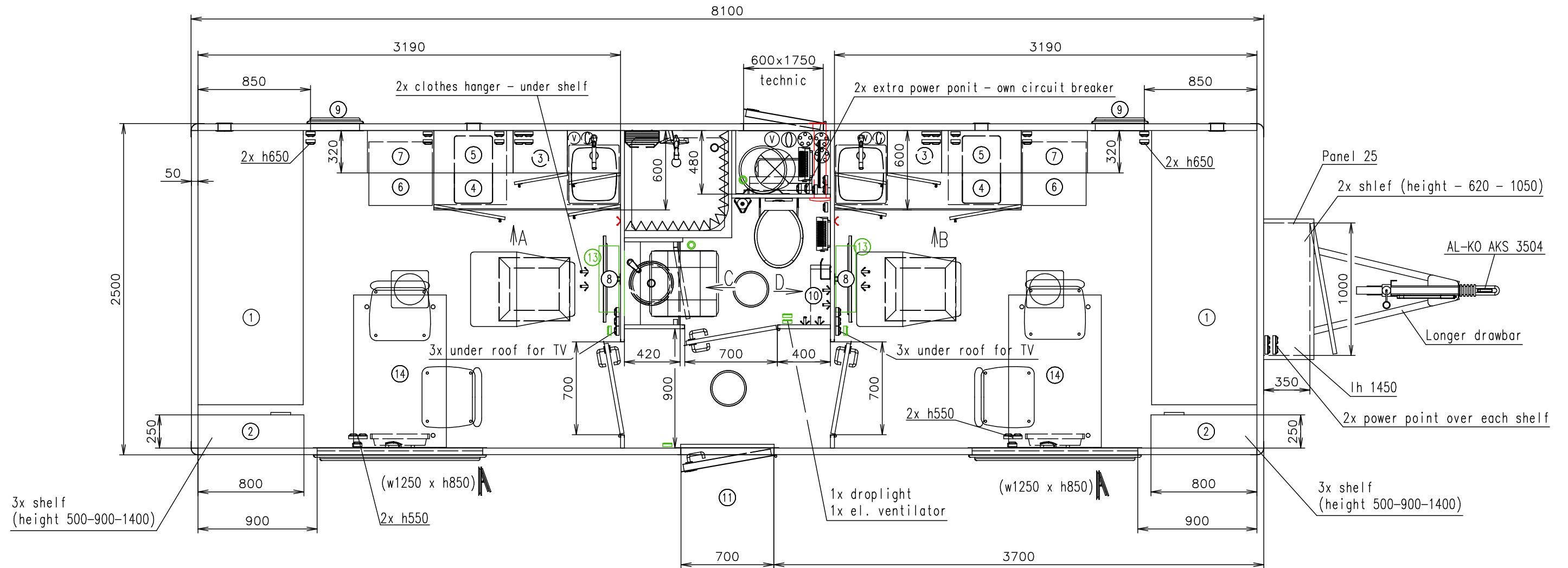


Connection hoses and cables	
Water hose:	✓
Waste water hose:	✓
Electric cable:	✓ 3x 230V



Notes: PVC black - in front room, entre room and bathroom
PVC Jupiter 148708 - in rear room

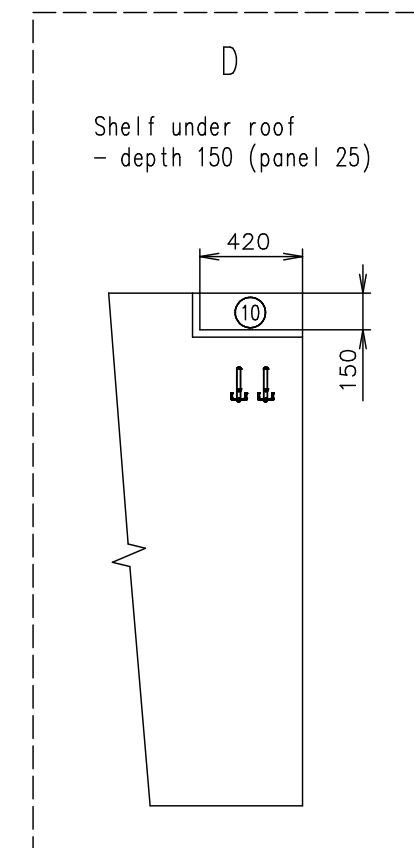
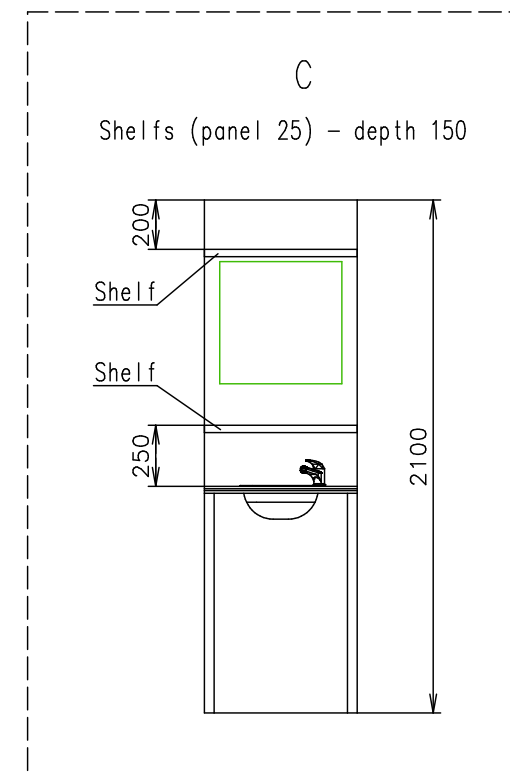
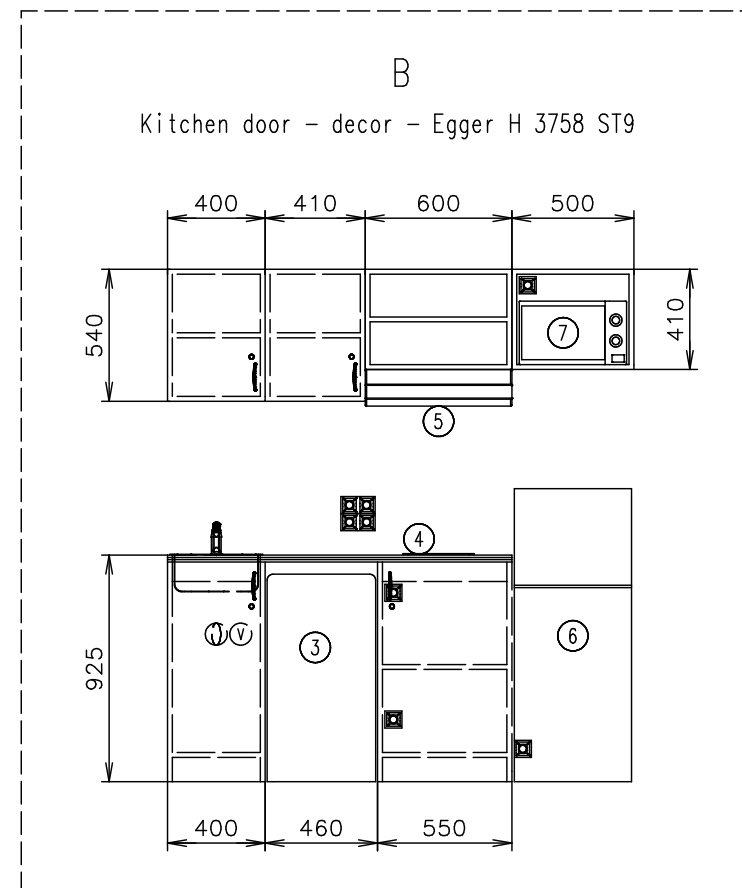
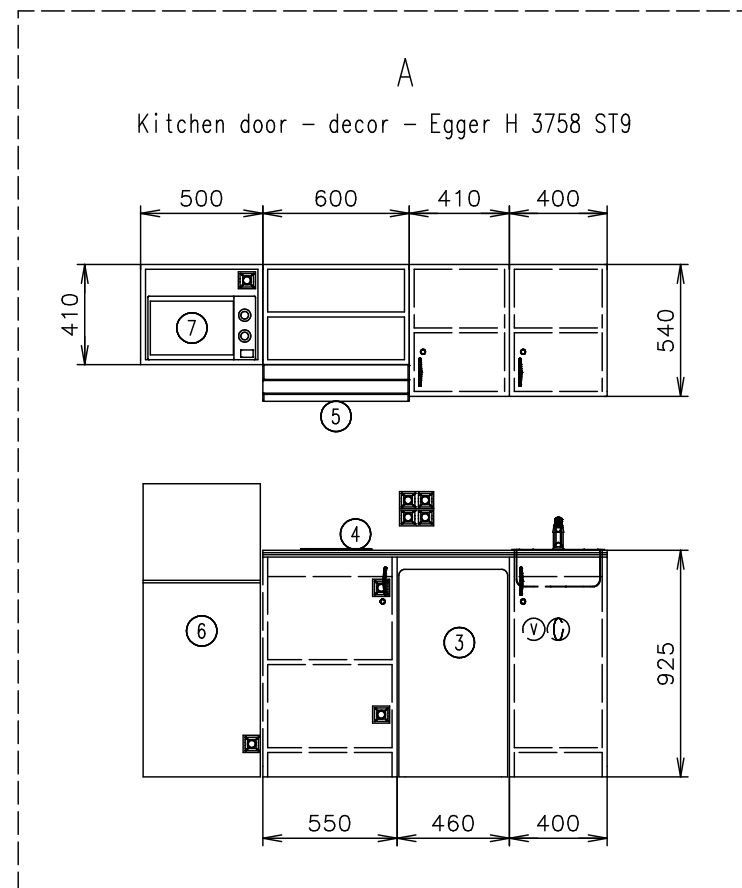
Interior height:	2100 mm	Total weight:	3500 kg
Color:	RAL 9010	Tare weight-estimate:	2800 kg
Floor:	PVC black and Jupiter 148708	Centre of wheels from rear side:	4050 mm
Date:	23.8.2018	Wheels:	185 R14C

EUROWAGON

Drawing number:
2416-81-3_1/3 (RUF Int.)

(Cabling and piping is not shown on the 3D views and drawings)

Connection hoses and cables	
Water hose:	✓
Waste water hose:	✓
Electric cable:	✓ 3x 230V



Notes: PVC black - in front room, entre room and bathroom
PVC Jupiter 148708 - in rear room

Interior height:	2100 mm	Total weight:	3500 kg
Color:	RAL 9010	Tare weight-estimate:	2800 kg
Floor:	PVC black and Jupiter 148708	Centre of wheels from rear side:	4050 mm
Date:	23.8.2018	Wheels:	185 R14C

EUROWAGON

Drawing number:
2416-81-3_2/3 (RUF Int.)

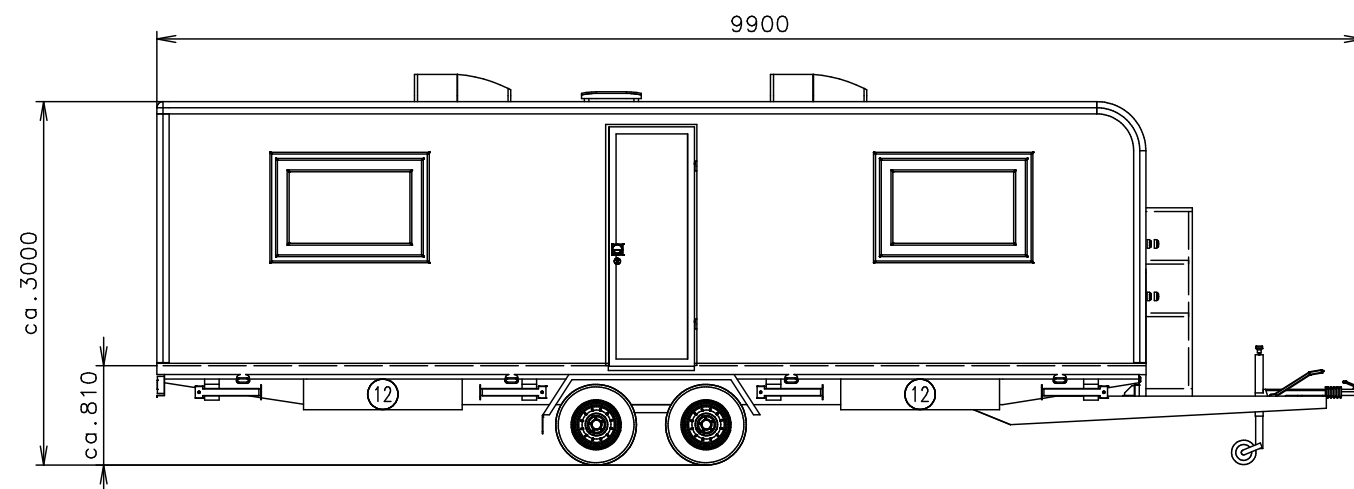
(Cabling and piping is not shown on the 3D views and drawings)

Connection hoses and cables	
Water hose:	✓
Waste water hose:	✓
Electric cable:	✓ 3x 230V

- Ⓥ Water connection 3/4" (through the floor)
- Ⓜ 3x electric connection (through the floor) (230V-16A) (front room + middle room + rear room) or 1x electric connection (400V-16A) (customer accept the risk of lack of electricity)
- Ⓛ Effluent connection 1"
- Ⓧ Power point
- Ⓨ Double power point
- Ⓩ Light switch
- ⓐ Switch board (1200 over floor)
- ⓑ LED droplight
- ⓓ Droplight
- ⓔ Sensorlight
- ⓕ Heating (500W)
- ⓖ Heating (750W)
- ⓗ Roof A/C + heating (Dometic Freshjet 1700)
- ⓓ Electric ventilator 230V (with our switch)
- ⓖ Floor drain hole

- Ⓛ Shower (800x800) Cola
- Ⓜ Kitchen sink Alveus Basic 10 + standard water tap
- Ⓨ Sink ø335 (stainless steel) + standard water tap
- Ⓩ Hanging toilet + pump Setsan
- ⓐ Hot water boiler Slim (50 l)
- ⓑ Window opening out (870 over floor) + inside louver
- ⓓ Roof window Dometic (400x400)
- ⓔ Ventilation ø120
- ⓕ Chair
- ⓖ Brush toilet
- ⓗ Toilet paper holder
- ⓓ Shelf steel
- ⓔ Shower curtain
- ⓕ Clothes hanger
- ⓖ Clothes hanger

- Mirror (500x500)
- ① Bunk bed (2070 x 795) - without mattresses
- ② Shelves
- ③ Dishwasher (w450)
- ④ Electric cooker - 2 hotplate
- ⑤ Cooker hood
- ⑥ Fridge with freezer (h1200)
- ⑦ Microwave
- ⑧ TV Samsung (32") - antenne cable to technical room
- ⑨ Fixed window (w370 x h720) (870 over floor) + inside louver
- ⑩ Shelf under roof (sketch)
- ⑪ Foldable stairs Serena (3x step) + feets
- ⑫ 4x box on the chassis (sheet metal) (11300) (2x on the each side)
- ⑬ Shelf (w500 x d150) (under TV, 1400 over floor)
- ⑭ Foldable desk Valet 115 (1150x700)



(Cabling and piping is not shown on the 3D views and drawings)

Notes: PVC black - in front room, entre room and bathroom
PVC Jupiter 148708 - in rear room

Interior height:	2100 mm	Total weight:	3500 kg
Color:	RAL 9010	Tare weight-estimate:	2800 kg
Floor:	PVC black and Jupiter 148708	Centre of wheels from rear side:	4050 mm
Date:	23.8.2018	Wheels:	185 R14C

EUROWAGON

Drawing number:
2416-81-3_3/3 (RUF Int.)