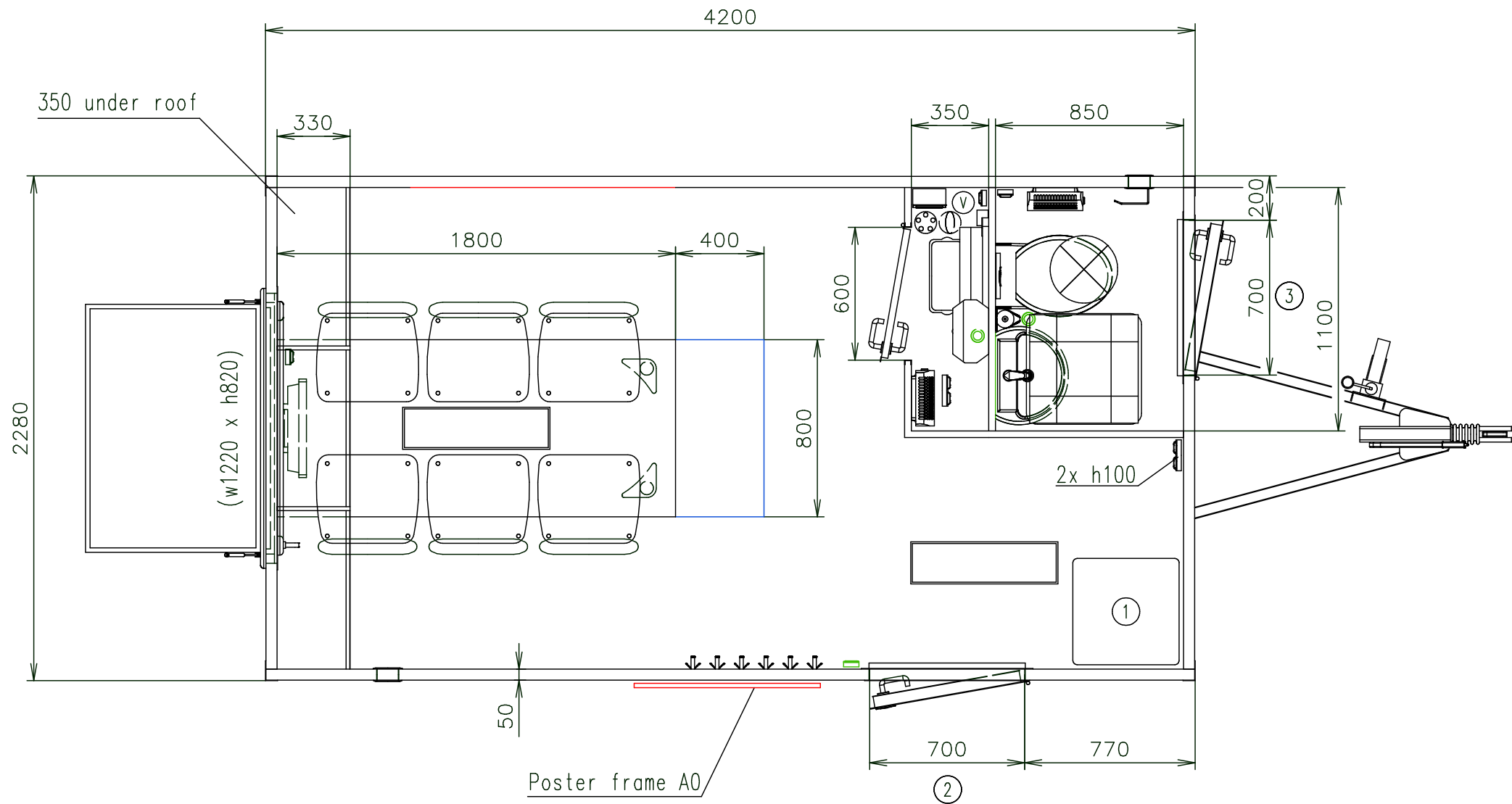


Connection hoses and cables	
Water hose:	✓
Waste water hose:	✓
Electric cable:	✓



Notes:

Interior height:	2100 mm	Total weight:	1300 kg
Color:	RAL 9010 + FOLIO	Tare weight-estimate:	1100 kg
Floor:	PVC gray	Centre of wheels from rear side:	2120 mm
Date:	19.12.2017	Wheels:	165 R13C

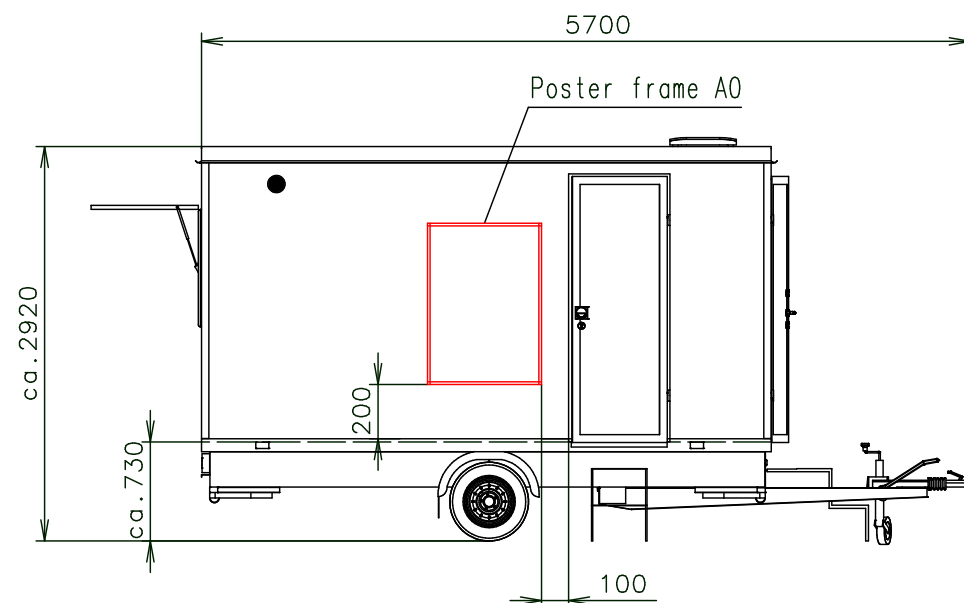
(Cabling and piping is not shown on the 3D views and drawings)

**EUROWAGON**

Drawing number:  
2810-42-2\_1/2

Connection hoses and cables	
Water hose:	✓
Waste water hose:	✓
Electric cable:	✓

- Ⓧ Water connection 3/4" (through the floor)
- Ⓧ Electric connection (through the floor) (230V-16A)
- Ⓧ Effluent connection 1"
- Ⓧ Power point
- Ⓧ Double power point
- Ⓧ Light switch
- Ⓧ Switch board (1200 over floor)
- Ⓧ Droplight
- Ⓧ Sensorlight
- Ⓧ Heating (500W)
- Ⓧ Heating (750W)
- Ⓧ Floor drain hole
- Ⓧ Wash-basin Kolo (450x330) + standard water tap
- Ⓧ Hanging toilet + pump Setsan
- Ⓧ Hot water boiler Wterm FHN (5l)
- Ⓧ Window opening inside (870 over floor) + shutter
- Ⓧ Roof window Dometic (400x400)
- Ⓧ Ventilation ø120
- Ⓧ Chair
- Ⓧ Desk permanent fixed (1800x800) with removable 400mm part
- Ⓧ Shelf
- Ⓧ Brush toilet
- Ⓧ Toilet paper holder
- Ⓧ Clothes hanger
- Ⓧ Mirror (400x400)
- Ⓧ Cork noticeboard (1200x800)
- ① Fridge
- ② Standard hanging stairs - long
- ③ Standard hanging stairs - short



(Cabling and piping is not shown on the 3D views and drawings)

Notes:

Interior height:	2100 mm	Total weight:	1300 kg
Color:	RAL 9010	Tare weight-estimate:	1100 kg
Floor:	PVC gray	Centre of wheels from rear side:	2120 mm
Date:	19.12.2017	Wheels:	165 R13C

**EUROWAGON**

Drawing number:

2810-42-2\_2/2