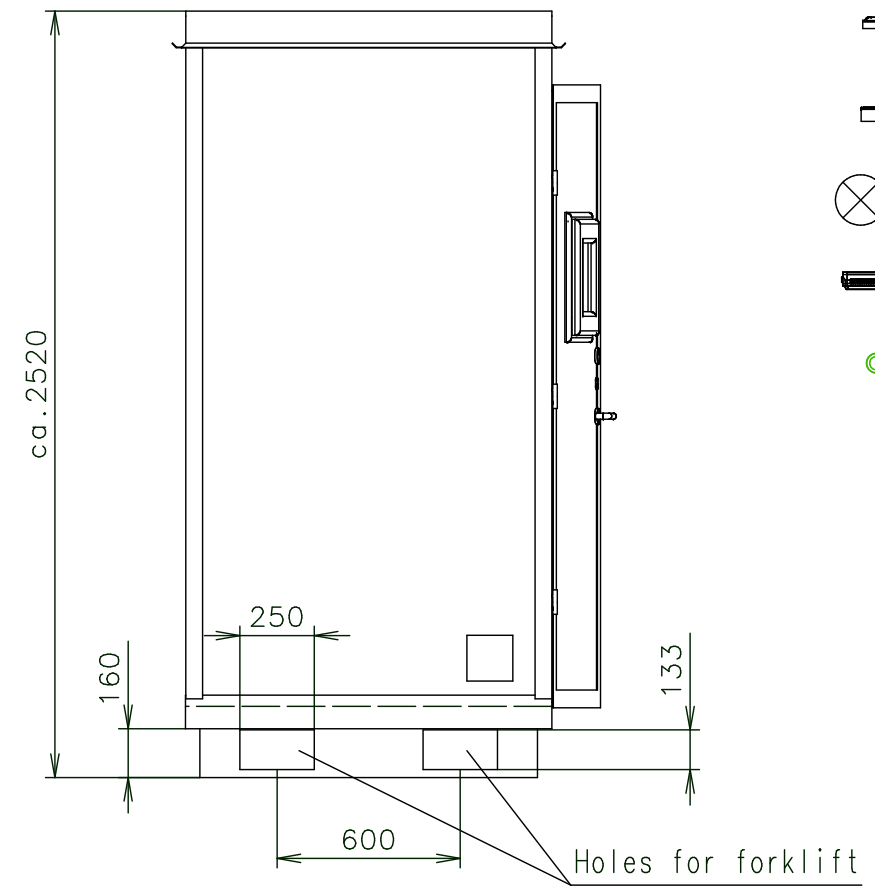
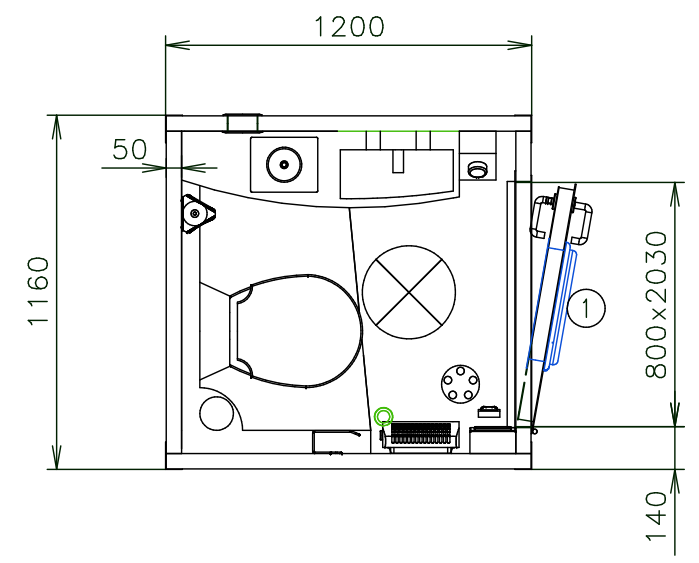



Connection hoses and cables	
Water hose:	✗
Waste water hose:	✗
Electric cable:	✗



(Cabling and piping is not shown on the 3D views and drawings)

-  Electric connection (through the wall) (230V-16A)
-  Power point
-  Switch board (under roof)
-  Sensorlight
-  Heating (500W)
-  Floor drain hole
-  Tank system (toilet+wash-basin) – without discharge point (fresh water flush) (110 l fresh, 160 l waste)
-  Ventilation ø120
-  Brush toilet
-  Toilet paper holder
-  Mirror (400x400)
-  ① Window – fix (370 x 370) (1220 over floor) – frosted glass

Notes: RUKO + Loxam cylinder

Interior height:	2200 mm	Total weight:	-
Color:	RAL 7042 (gray)	Tare weight-estimate:	-
Floor:	PVC gray	Centre of wheels from rear side:	-
Date:	7.9.2017	Wheels:	-



Drawing number:
2738-12-1 EWK