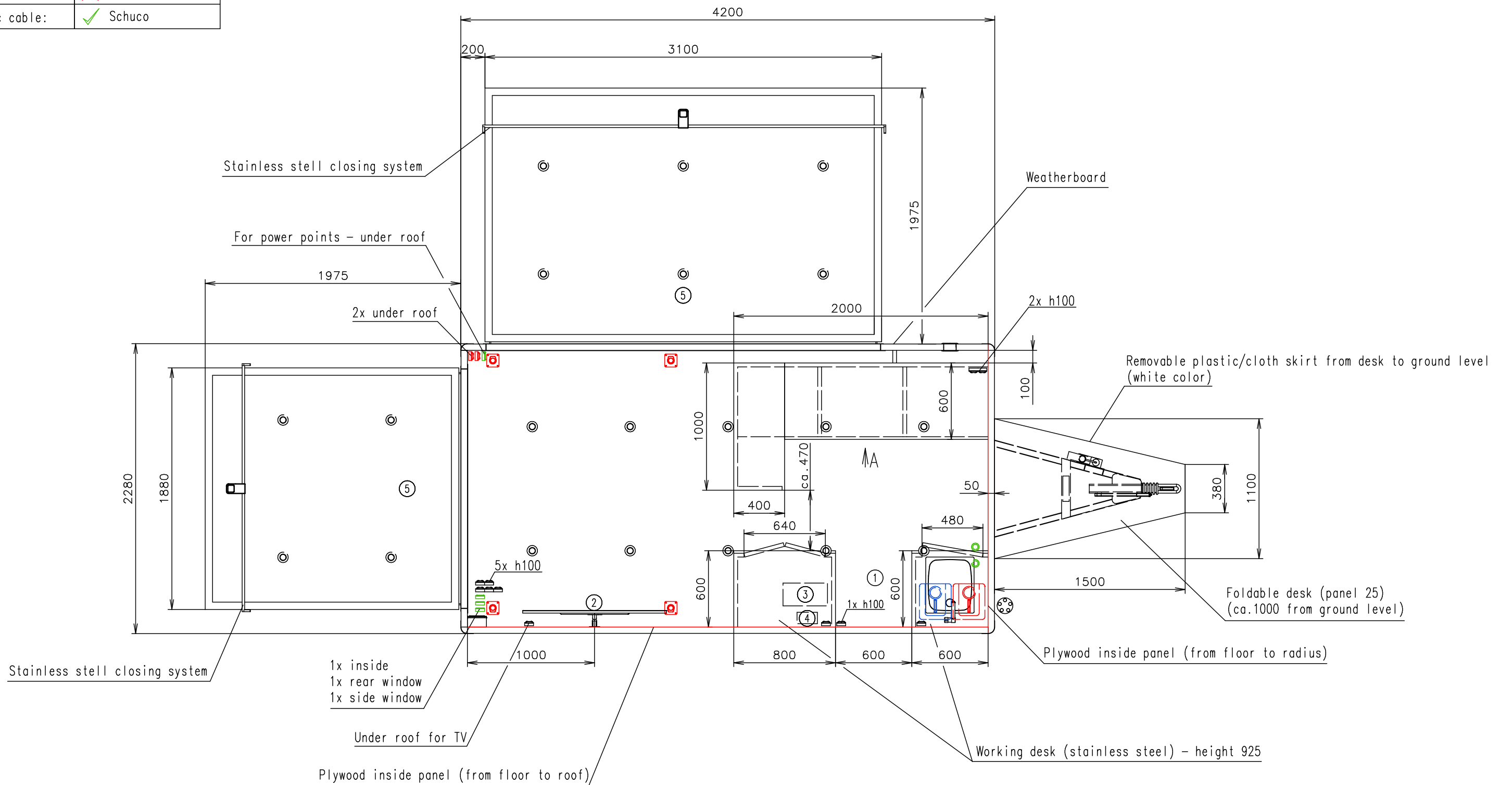


Connection hoses and cables	
Water hose:	✗
Waste water hose:	✗
Electric cable:	✓ Schuco



Battery only for spot lights (inside, rear window and side window)

Notes: Heating 750W – free loaded External folio Internal folio

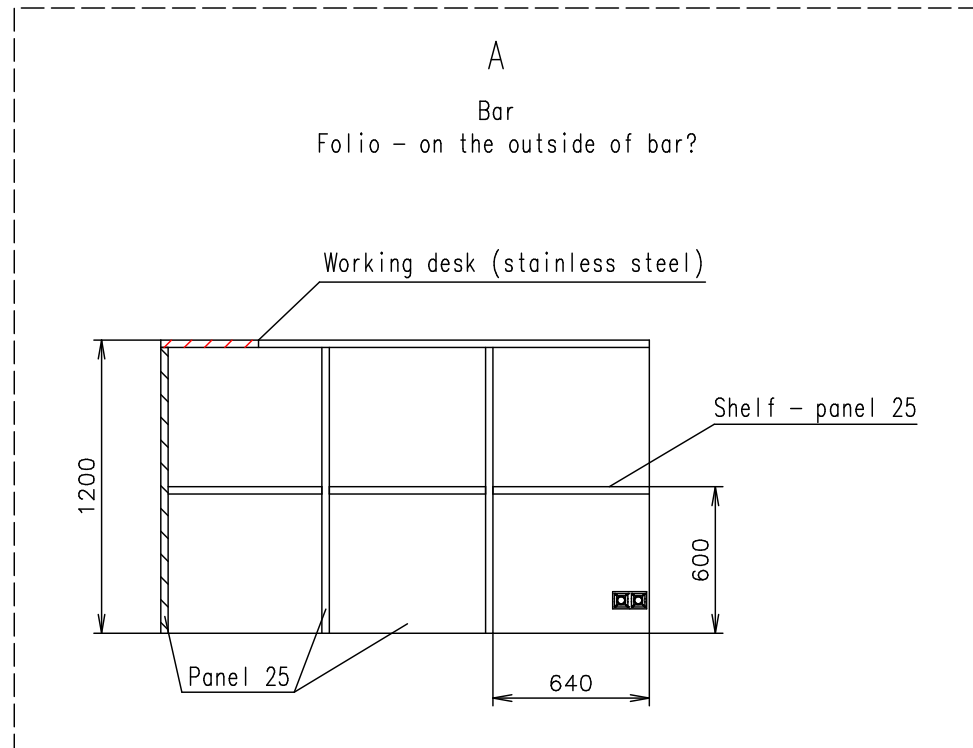
Interior height:	2200 mm	Total weight:	1500 kg
Color:	RAL 9010 + folio	Tare weight-estimate:	1300 kg
Floor:	PVC Jupiter 148708	Centre of wheels from rear side:	2120 mm
Date:	4.9.2017	Wheels:	195/50 R13C

EUROWAGON

Drawing number:
2728-42-3_1/2 (WestBay)

(Cabling and piping is not shown on the 3D views and drawings)

Connection hoses and cables	
Water hose:	✗
Waste water hose:	✗
Electric cable:	✓ Schuco



⊕ Electric connection (on the wall ca.1000 over ground level) (230V-16A)

⊖ Power point

⊖ Double power point

⊖ Double power point with switch

⊖ Light switch

⊖ Switch board (under roof)

⊙ Spot light

⊙ Floor drain hole

⊖ Kitchen sink Alveus Basic 10 + switching water tap + 12V pump (only cold water)

⊖ Waste-water tank 30l

⊖ Water tank 30l

⊖ Ventilation ø120

⊖ Fixing eye in floor (UP-01)

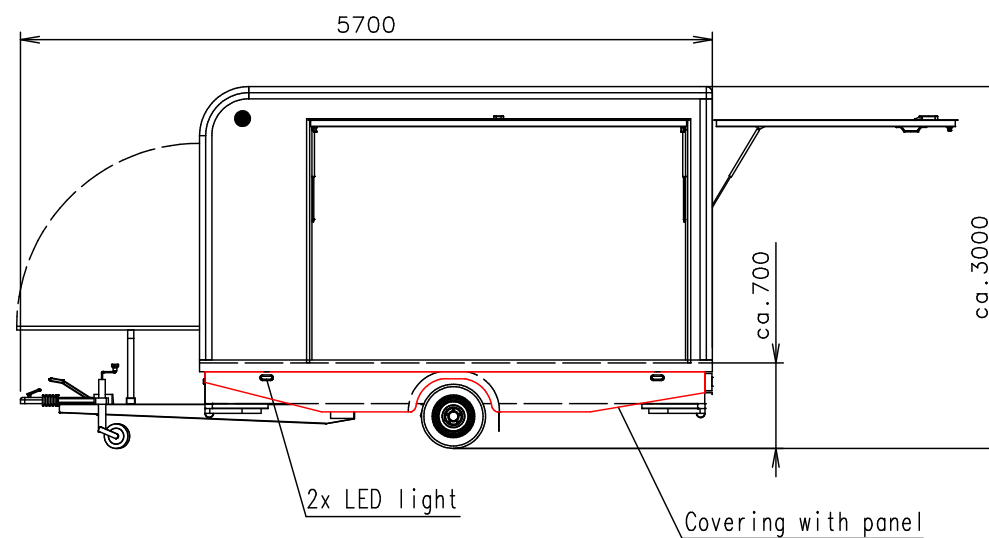
① Place for fridge

② LED TV Samsung (50") (under roof) + extra HDMI cable ca.3m

③ Battery Banner Energy Bull 110Ah (12V)

④ Charger Multi XS 10A

⑤ VIP stairs (2 parts) + 2x handrail - for transport inside the wagon



Battery only for spot lights (inside, rear window and side window)

Notes: Heating 750W - free loaded External folio Internal folio

Interior height:	2200 mm	Total weight:	1500 kg
Color:	RAL 9010 + folio	Tare weight-estimate:	1300 kg
Floor:	PVC Jupiter 148708	Centre of wheels from rear side:	2120 mm
Date:	4.9.2017	Wheels:	195/50 R13C

EUROWAGON

Drawing number:
2728-42-3_2/2 (WestBay)

(Cabling and piping is not shown on the 3D views and drawings)